



THE BOX storage systems

The innovative modular THE BOX storage system offers stable storage of small to medium-sized products of any kind. The different drawer heights of 40 mm or 100 mm can be individually divided. The storage systems are also optimally suited for companies with small footprints and room heights.

THE BOX+ SINGLE



Standard version THE BOX+ SINGLE



Model
Single
Color: lightgrey



Drawer count
26 Pieces
24x H 40mm
2x H 100mm



Tare weight
~ 850 kg
(1874 lbs)



Max. Compartments
12 per drawer


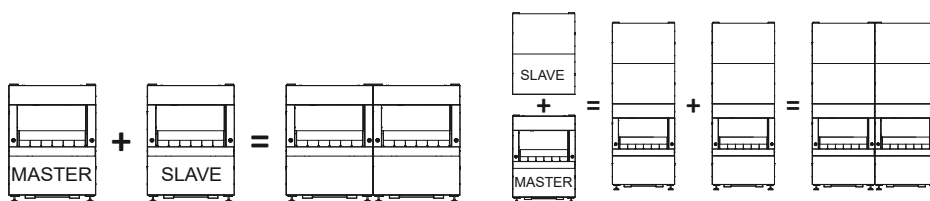


Floor space <2m²
L 1600 mm
W 1000 mm



Ergonomics
Ergonomic un-/loading

Want to learn more?
Just scan the QR code and visit the official website „www.thebox.systems/en“

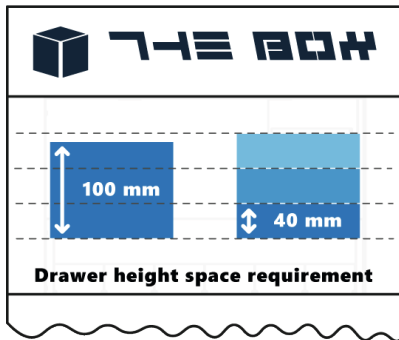
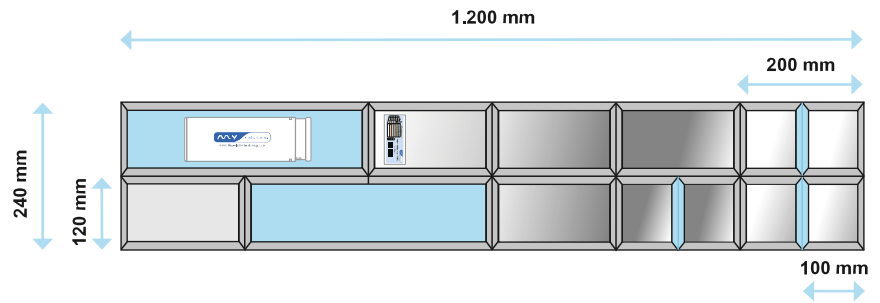



The automatic storage system with low space requirements. Modularly expandable vertically and horizontally at any time!



Modular drawer compartments

The individual drawer layouts can be adapted by adjusting the dividers to the desired product size. In the software, this is done via the simple function of a graphic layout tool.



One drawer can be loaded with up to 120 kg (~ 265 lbs) and can be divided into max. 12 compartments of 200x120 mm each in the standard version. Alternatively, in the S version, one drawer can be divided into max. 24 compartments of 100x120 mm.

Specification modules and options

	THE BOX	THE BOX+
Model SINGLE		
Dimensions in mm	W1600 x H2200 x D1200	
Floor space in mm	L1600 x W1000 < 2m ²	
Tare weight	~ 850 kg / 1874 lbs	
Load capacity at full load (volume-dependent)	~ 1600kg / 3527 lbs	~ 2000kg / 4409 lbs
Max. compartment count (standard/S version)	240 / 480	312 / 624
Max. drawer count	20 Pieces	26 Pieces
Drawer heights/drawer count in mm (standard)	18x H40	2x H100
		24x H40
Model DOUBLE V		
Dimensions in mm	W1600 x H4200 x D1200	
Floor space in mm	L1600 x W1600 < 2m ²	
Tare weight	~ 1250 kg / 2756 lbs	
Load capacity at full load (volume-dependent)	~ 5700kg / 12566 lbs	~ 6200kg / 13669 lbs
Max. compartment count (standard/S version)	840 / 1680	912 / 1824
Max. drawer count	70 Pieces	76 Pieces
Drawer heights/drawer count in mm (standard)	68x H40	2x H100
		74x H40
Equipment		
Integrated PC with touch display	Yes	No
Access panels (standard/S version)	12 / 24	
Accessories and options		
1D/2D code reader		available
Intelligent scale		available
Inserts/imputations		available
Removal bay camera		available
Customized color request		RAL-Colors